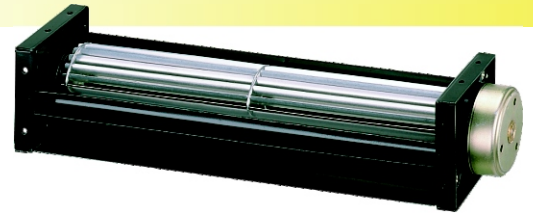


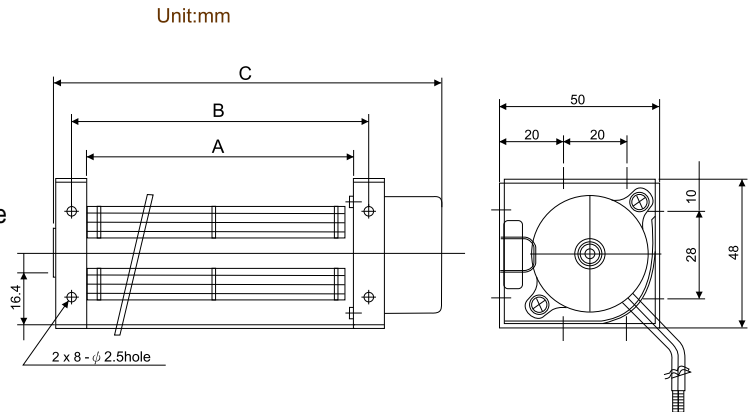
DF30 Series

DC CROSS FLOW FAN

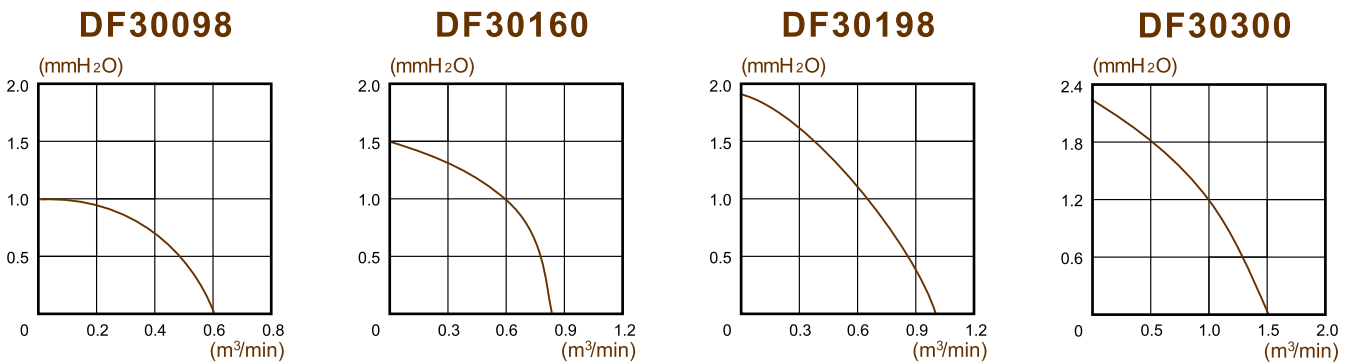


DIMENSION

HOUSING : Metal /Aluminum
 IMPELLER : Aluminum, diameter 30 mm
 BEARING : Sleeve or Ball
 OPERATING TEMPERATURE : Sleeve bearing: 0°C to + 45°C
 Ball bearing: -20 °C to + 70 °C
 MOTOR TYPE : DC Brushless Motor
 DIELECTRIC STRENGTH : 5mA Max. at 500 VAC 60 Hz for 1 minute
 (Between Frame and Terminal)
 INSULATION : Class E
 INSULATION RESISTANCE : 10 MEG Ohms Min. @500 VDC
 (Between Frame and Terminal)
 SAFETY : Impedance Protected



AIR PERFORMANCE



SPECIFICATION

MODEL NO.	DIMENSION (MM)			RATED VOLTAGE (V)	RATED CURRENT (A)	SPEED (RPM)	MAX. AIR PRESSURE (mmH ₂ O)	AIR FLOW		NOISE dB(A) @ 1M	WEIGHT (g)
	A	B	C					CFM	m ³ /min		
DF30098V12	98	108	132	12	0.17	3500	1.00	21.20	0.60	38	190
DF30160V12	160	170	194	12	0.20	3200	1.50	28.27	0.80	37	230
DF30198V12	198	208	232	12	0.28	3000	1.90	35.34	1.00	38	250
DF30300V12	300	310	338	12	0.32	2800	2.20	53	1.50	40	310
DF30098V24	98	108	132	24	0.11	3500	1.00	21.20	0.60	38	190
DF30160V24	160	170	194	24	0.12	3200	1.50	28.27	0.80	37	230
DF30198V24	198	208	232	24	0.14	3000	1.90	35.34	1.00	38	250
DF30300V24	300	310	338	24	0.15	2800	2.20	53	1.50	40	310