

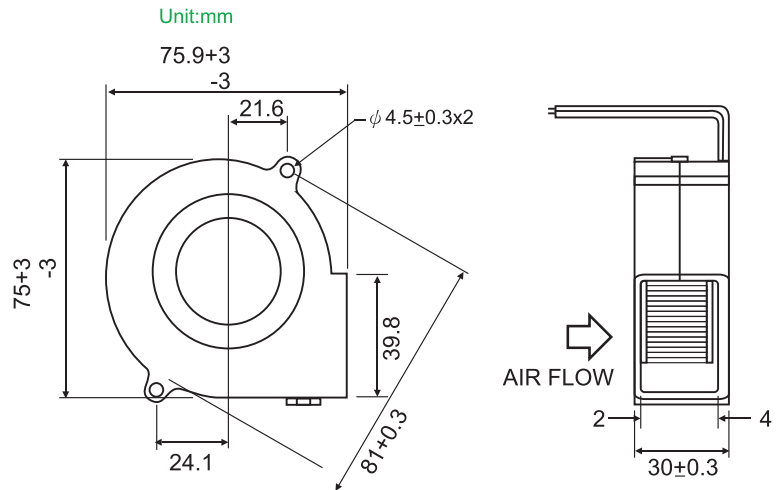


# DB7630 Series

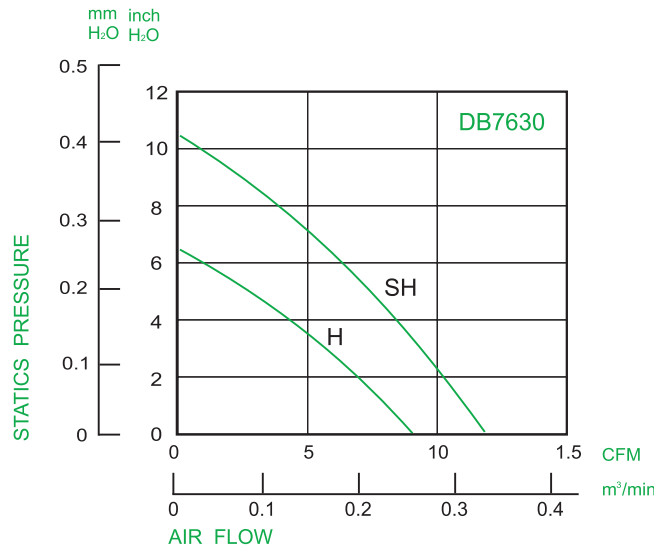
Size: 75.7x75.7x30mm (2.98"x2.98"x1.18")

## DIMENSION

HOUSING : Thermoplastic PBT, UL94V-0  
 IMPELLER : Thermoplastic PBT, UL94V-0 BEARING : Sleeve or Ball  
 OPERATING TEMPERATURE : Sleeve Bearing:- 10°C to + 70°C  
 Ball Bearing:- 30°C to + 75°C  
 INSULATION RESISTANCE : 10 meg Ohms Min. @ 500 VDC  
 (Between Frame and Terminal)  
 DIELECTRIC STRENGTH : 5 mA Max. at 500 VAC 60 Hz  
 for 1 minute  
 (Between Frame and Terminal)  
 WEIGHT : 95g (3.35 oz.)



## AIR PERFORMANCE



## SPECIFICATION

MODEL NO.	RATED VOLTAGE (V)	OPERATING VOLTAGE (V)	RATED CURRENT (A)	INPUT POWER (W)	SPEED (RPM)	MAX. AIR PRESSURE		AIR FLOW		NOISE dB(A) @ 1M
						mmH <sub>2</sub> O	InchH <sub>2</sub> O	CFM	m <sup>3</sup> /min	
DB7630V12SH	12	5 - 13.8	0.36	4.00	4000	12.00	.68	15.90	0.36	41
DB7630V12H	12	10.2 - 13.8	0.20	2.40	2600	6.33	0.25	8.94	0.25	35