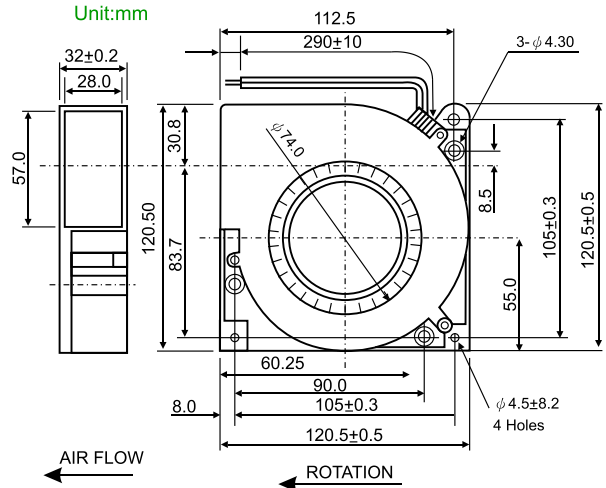


# DB12032 Series

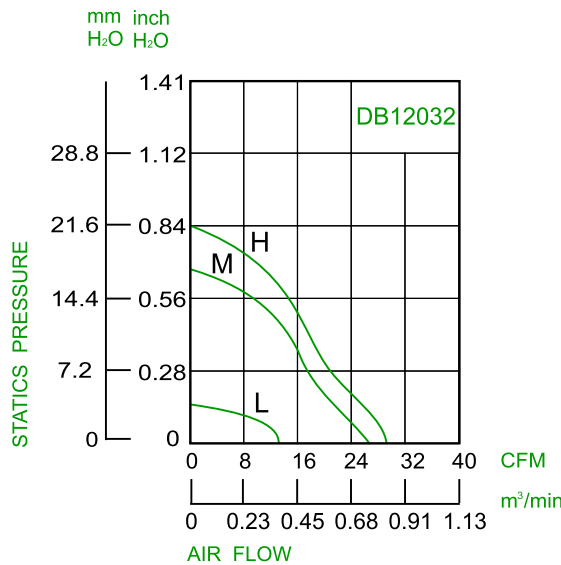
Size: 120x120x32mm (4.69"x4.69"x1.26")

## DIMENSION

HOUSING : Thermoplastic PBT, UL94V-0  
 IMPELLER : Thermoplastic PBT, UL94V-0  
 BEARING : Sleeve or Ball  
 OPERATING TEMPERATURE : Sleeve Bearing:- 10°C to + 70°C  
 Ball Bearing:- 30°C to + 75°C  
 INSULATION RESISTANCE : 10 meg Ohms Min. @ 500 VDC  
 (Between Frame and Terminal)  
 DIELECTRIC STRENGTH : 5 mA Max. at 500 VAC 60 Hz  
 for 1 minute  
 (Between Frame and Terminal)  
 WEIGHT : 278g (9.81 oz.)



## AIR PERFORMANCE



## SPECIFICATION

MODEL NO.	RATED VOLTAGE (V)	OPERATING VOLTAGE (V)	RATED CURRENT (A)	INPUT POWER (W)	SPEED (RPM)	MAX. AIR PRESSURE		AIR FLOW		NOISE dB(A) @ 1M
						mmH <sub>2</sub> O	InchH <sub>2</sub> O	CFM	m <sup>3</sup> /min	
DB12032V12H	12	10.8 - 13.2	0.65	7.80	2500	12.26	0.48	25.20	0.71	51
DB12032V12M	12	10.8 - 13.2	0.60	7.20	2300	15.77	0.62	23.70	0.67	51
DB12032V12L	12	10.8 - 13.2	0.15	1.80	1200	2.77	0.11	12.00	0.34	34
DB12032V24H	24	21.6 - 26.4	0.43	10.32	2500	16.26	0.64	25.20	0.71	51
DB12032V24M	24	21.6 - 26.4	0.40	9.60	2300	15.77	0.62	23.70	0.67	51
DB12032V24L	24	21.6 - 26.4	0.13	3.12	1200	2.77	0.11	12.00	0.34	34