

D4028-03 Series

Size: 40x40x28mm (1.57"x1.57"x1.102")

HOUSING : Thermoplastic PBT, UL94V-0

IMPELLER : Thermoplastic PBT, UL94V-0

BEARING : Sleeve or Ball

OPERATING TEMPERATURE : Sleeve Bearing:- 10°C to + 70°C
Ball Bearing:- 30°C to + 75°C

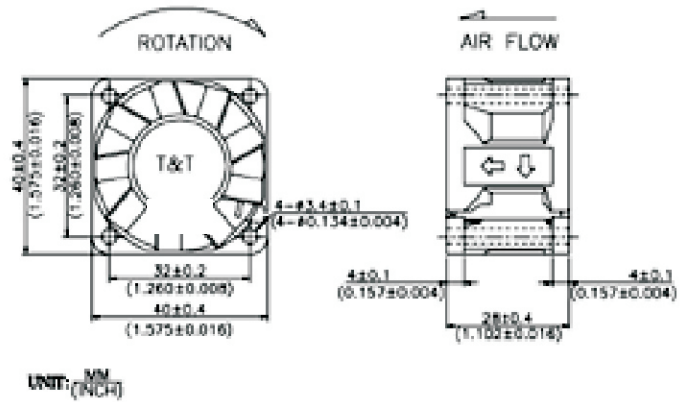
INSULATION RESISTANCE : 10 meg Ohms Min. @ 500 VDC
(Between Frame and Terminal)

DIELECTRIC STRENGTH : 5 mA Max. at 500 VAC 60 Hz
for 1 minute
(Between Frame and Terminal)

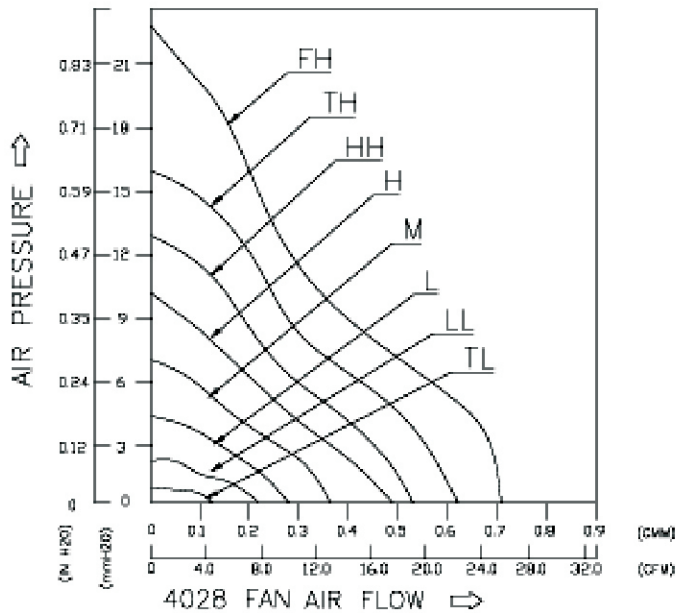
WEIGHT : 18g (0.63 oz.)



DIMENSION



AIR PERFORMANCE



SPECIFICATION

Model Number	Rated Voltage V	Operating Voltage V	Rated Current A	Actual Current A	Rated Power W	Rated Speed RPM	Max. Air Flow		Max. Static Air Pressure		Noise Level dBA
							CMM	CFM	mm H ₂ O	In H ₂ O	
D4028V12L-03	12	6 - 13.8	0.42	0.30	5.04	10,000	0.497	17.57	14.24	0.561	49.8
D4028V12M-03	12	6 - 13.8	0.58	0.40	6.96	11,500	0.581	20.53	19.02	0.749	54.3
D4028V12H-03	12	6 - 13.8	0.66	0.52	7.92	13,000	0.663	23.41	25.37	0.999	57.9
D4028V24L-03	24	12 - 27.6	0.21	0.19	5.04	10,000	0.497	17.57	14.24	0.561	49.8
D4028V24M-03	24	12 - 27.6	0.24	0.21	5.76	11,500	0.581	20.53	19.02	0.749	54.3
D4028V24H-03	24	12 - 27.6	0.35	0.34	8.40	13,000	0.663	23.41	25.37	0.999	57.9