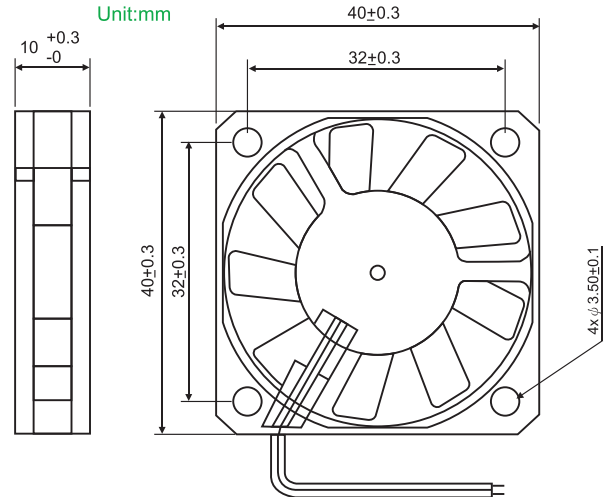


D4010 Series

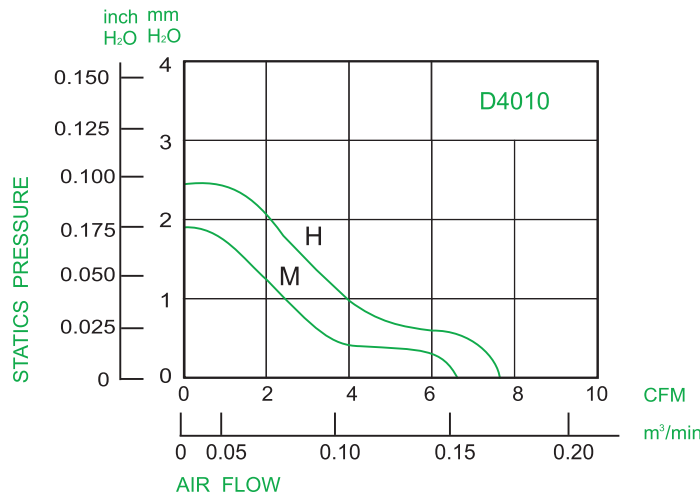
Size: 40x40x10mm (1.57"x1.57"x0.39")

DIMENSION

HOUSING : Thermoplastic PBT, UL94V-0
 IMPELLER : Thermoplastic PBT, UL94V-0
 BEARING : Sleeve or Ball
 OPERATING TEMPERATURE : Sleeve Bearing:- 10°C to + 70°C
 Ball Bearing:- 30°C to + 75°C
 INSULATION RESISTANCE : 10 meg Ohms Min. @ 500 VDC
 (Between Frame and Terminal)
 DIELECTRIC STRENGTH : 5 mA Max. at 500 VAC 60 Hz
 for 1 minute
 (Between Frame and Terminal)
 WEIGHT : 18g (0.63 oz.)



AIR PERFORMANCE



SPECIFICATION

MODEL NO.	RATED VOLTAGE (V)	OPERATING VOLTAGE (V)	RATED CURRENT (A)	INPUT POWER (W)	SPEED (RPM)	MAX. AIR PRESSURE		AIR FLOW		NOISE dB(A) @ 1M
						mmH ₂ O	InchH ₂ O	CFM	m ³ /min	
D4010V5H	5	4.5 - 5.7	0.23	1.15	6500	2.40	0.09	7.70	0.22	29
D4010V5M	5	4.5 - 5.7	0.18	0.90	5000	1.87	0.07	6.48	0.18	25
D4010V12SH	12	9 - 13.8	0.16	1.92	7000	2.95	-	8.90	0.116	33.8
D4010V12H	12	10.2 - 13.8	0.13	1.56	6500	2.40	0.09	7.70	0.22	29
D4010V12M	12	10.2 - 13.8	0.09	1.08	5000	1.87	0.07	6.48	0.18	25