



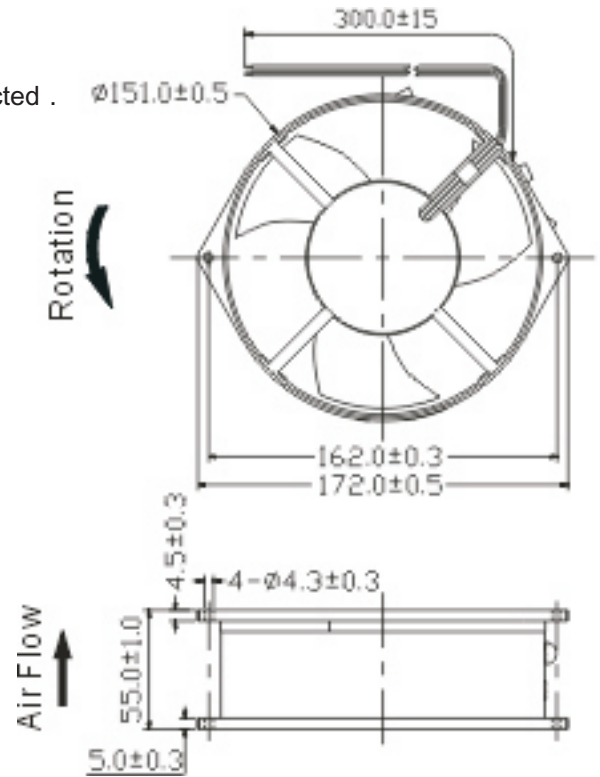
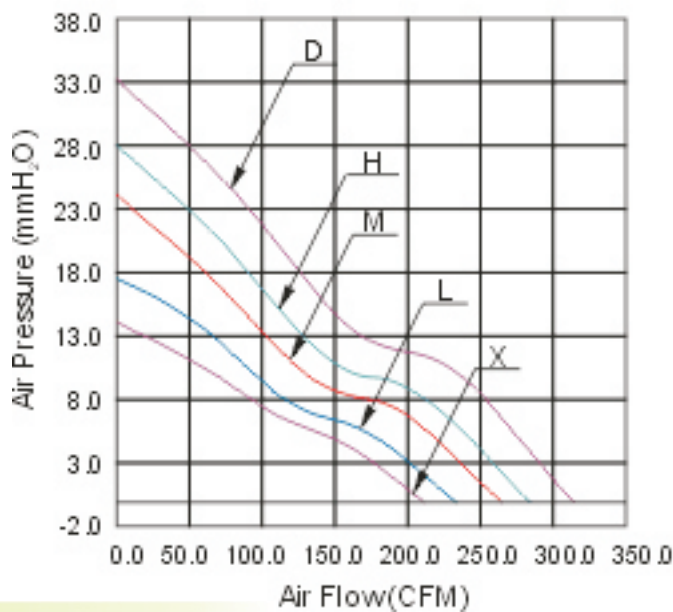
D15055 Series

150x172x55mm (5.90"x6.77"x2.17")

DIMENSION

FRAME AND IMPELLER: Thermal Plastic, UL 94V-0
 LEAD WIRES: UL Type or Equivalent (+) : Red (-) : Black
 OPERATING TEMPERATURE : -10°C~70°C、 35% ~85%RH
 STORAGE TEMPERATURE 40 °C~80 °C、 35% ~85%RH
 MOTOR PROTECTION :Impedance Protected ;Reverse Polarity Protected .

AIR PERFORMANCE



SPECIFICATION

Model Number	Rated Voltage (V)	Operating Voltage	Rated Current (A)	Rated Speed	Air Flow CFM	Air Pressure mmH ₂ O	Noise Level dBA
D15055V12H	12	9.0~13.8	3.50	3,900	264.5	24.1	62
D15055V12M	12	9.0~13.8	2.40	3,500	233.2	17.5	59
D15055V12L	12	9.0~13.8	1.70	3,200	211.2	14.1	57
D15055V24SH	24	15.0~27.6	2.30	4,600	313.8	33.4	66
D15055V24H	24	15.0~27.6	1.80	4,200	283.3	28.1	64
D15055V24M	24	15.0~27.6	1.40	3,900	264.5	24.1	62
D15055V24L	24	15.0~27.6	0.95	3,500	233.2	17.5	59
D15055V24XL	24	15.0~27.6	0.70	3,200	211.2	14.1	57
D15055V48SH	48	24.0~55.2	1.20	4,600	313.8	33.4	66
D15055V48H	48	24.0~55.2	0.75	4,200	283.3	28.1	64
D15055V48M	48	24.0~55.2	0.60	3,900	264.5	24.1	62
D15055V48L	48	24.0~55.2	0.50	3,500	233.2	17.5	59
D15055V48XL	48	24.0~55.2	0.40	3,200	211.2	14.1	57