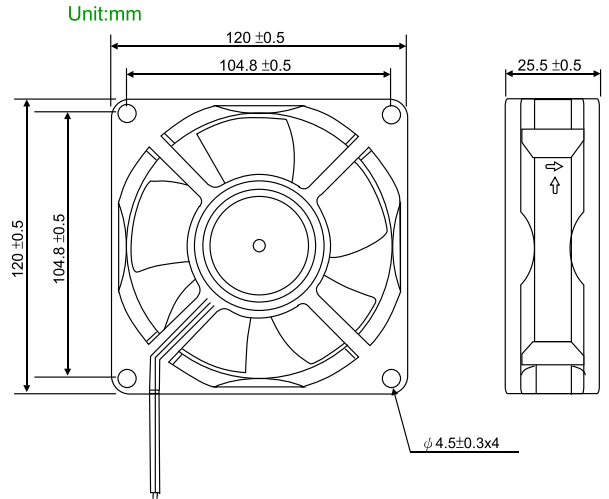


D12025 Series

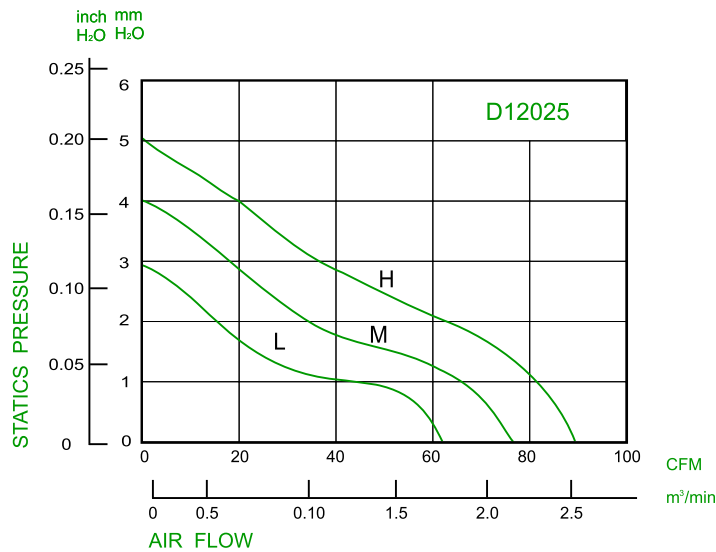
Size: 120x120x25mm (4.72"x4.72"x0.98")

DIMENSION



HOUSING : Thermoplastic PBT, UL94V-0
 IMPELLER : Thermoplastic PBT, UL94V-0 BEARING : Sleeve or Ball
 OPERATING TEMPERATURE : Sleeve Bearing:- 10°C to + 70°C
 Ball Bearing:- 30°C to + 75°C
 INSULATION RESISTANCE : 10 meg Ohms Min. @ 500 VDC
 (Between Frame and Terminal)
 DIELECTRIC STRENGTH : 5 mA Max. at 500 VAC 60 Hz
 for 1 minute
 (Between Frame and Terminal)
 WEIGHT : 150g (5.31 oz.)

AIR PERFORMANCE



SPECIFICATION

MODEL NO.	RATED VOLTAGE (V)	OPERATING VOLTAGE (V)	RATED CURRENT (A)	INPUT POWER (W)	SPEED (RPM)	MAX. AIR PRESSURE		AIR FLOW		NOISE dB(A) @ 1M
						mmH ₂ O	InchH ₂ O	CFM	m ³ /min	
D12025V12H	12	10.2 - 13.8	0.38	4.56	3000	4.80	0.19	88.30	2.50	48
D12025V12M	12	10.2 - 13.8	0.25	3.00	2500	3.83	0.15	74.50	2.11	44
D12025V12L	12	10.2 - 13.8	0.14	1.68	2000	2.90	0.11	61.40	1.74	38
D12025V24H	24	20.4 - 27.6	0.24	5.76	3000	4.80	0.19	88.30	2.50	48
D12025V24M	24	20.4 - 27.6	0.18	4.32	2500	3.80	0.15	74.50	2.11	44
D12025V24L	24	20.4 - 27.6	0.10	2.40	2000	2.90	0.11	61.40	1.74	38