

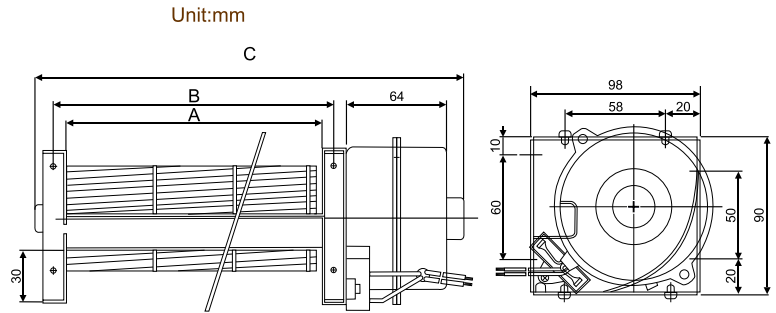
AFC60 Series

AC CROSS FLOW FAN



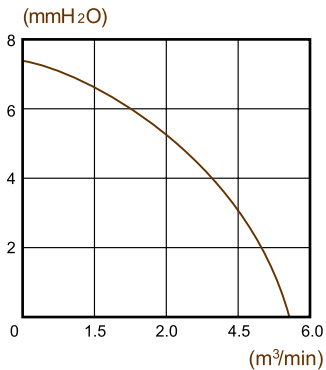
DIMENSION

HOUSING : Metal /Aluminum
 IMPELLER : Aluminum, diameter 60 mm
 BEARING : Sleeve or Ball
 OPERATING TEMPERATURE : Sleeve bearing: 0°C to + 45°C
 Ball bearing: -20°C to + 70°C
 MOTOR TYPE : 2P 1 0 AC Capacitor Type Motor
 DIELECTRIC STRENGTH : 1500 VAC for 1 minute
 INSULATION : Class E
 INSULATION RESISTANCE : 10 MEG Ohms Min. @500 VDC
 SAFETY : Thermal Protected

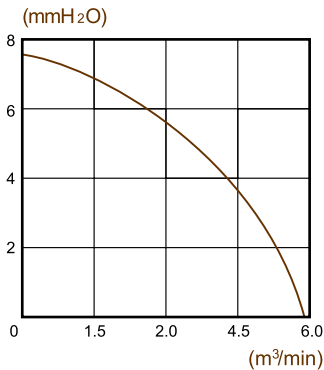


AIR PERFORMANCE

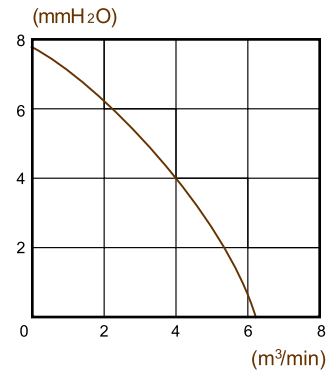
AFC60306



AFC60368



AFS60429



SPECIFICATION

MODEL NO.	DIMENSION (MM)			RATED VOLTAGE (V)	RATED FREQUENCY (Hz)	RATED CURRENT (A)	INPUT POWER (W)	SPEED (RPM)	MAX. AIR PRESSURE (mmH ₂ O)	AIR FLOW		NOISE dB(A) @ 1M	WEIGHT (g)
	A	B	C							CFM	m ³ /min		
AFC60306V1	306	321	411	110	60	0.33	37	2800	7.40	194	5.50	55	1640
AFC60306V2	306	321	411	220	60	0.17	38	2800	7.40	194	5.50	55	1640
AFC60368V1	368	383	473	110	60	0.35	39	2500	7.50	205	5.60	56	1710
AFC60368V2	368	383	473	220	60	0.19	41	2500	7.50	205	5.70	56	1710
AFC60429V1	429	444	534	110	60	0.36	40	2400	7.80	215	6.00	56	1785
AFC60429V2	429	444	534	220	60	0.20	42	2400	7.80	215	6.00	56	1785