

A17251S Series

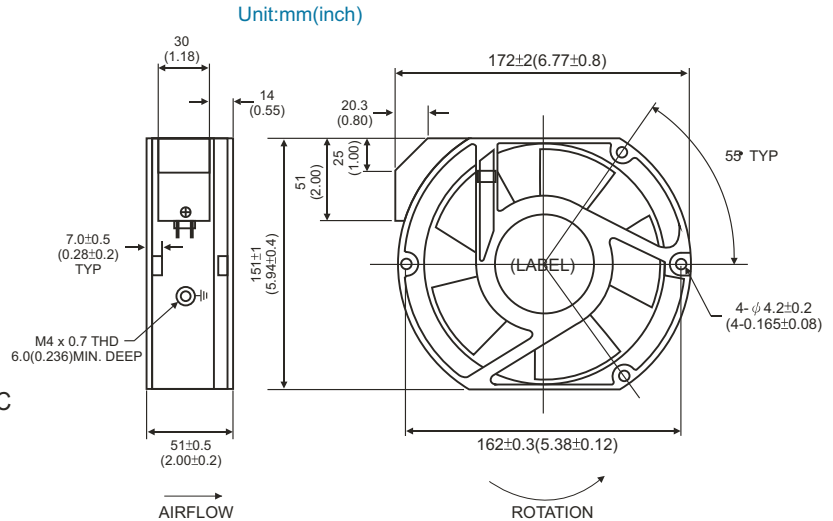
Size: 172x151x55mm (6.77" x 6" x 2")

* Outer rotor type.

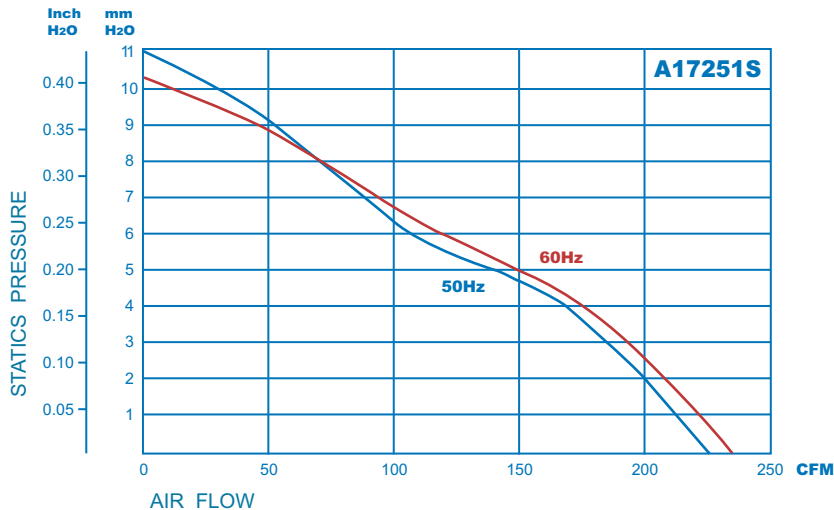


DIMENSION

- HOUSING** : Die - Cast Aluminum, Painted Black
- IMPELLER** : Thermoplastic PBT, UL94V - 0
- BEARING** : Ball
- TERMINATION** : Terminals or Lead wire
- MOTOR TYPE** : Shaded Poll
- START VOLTAGE** : 30 VAC for 115 VAC Type
60 VAC for 230 VAC Type
- DIELECTRIC STRENGTH** : 1,500 VAC for 1 minute
- INSULATION** : Class B
- INSULATION RESISTANCE** : 100,000 Ohms min. @500 VDC
- OPERATING TEMPERATURE** : -20°C to + 80°C
- SAFETY** : Thermally Protected (Auto Restart)
- WEIGHT** : 875g (31 oz.)



AIR PERFORMANCE



SPECIFICATION

MODEL NO.	RATED VOLTAGE (V)	FREQUENCY (Hz)	RATED CURRENT (A)	INPUT POWER (W)	SPEED (RPM)	AIR FLOW		NOISE dB(A) @ 1M
						CFM	m ³ /min	
A17251V1H-S	115	50 / 60	0.40 / 0.50	26 / 25	2650 / 3050	175 / 200	5.94/6.79	55 / 58
A17251V2H-S	230	50 / 60	0.16 / 0.15	26 / 25	2650 / 3050	175 / 200	5.94/6.79	55 / 58