



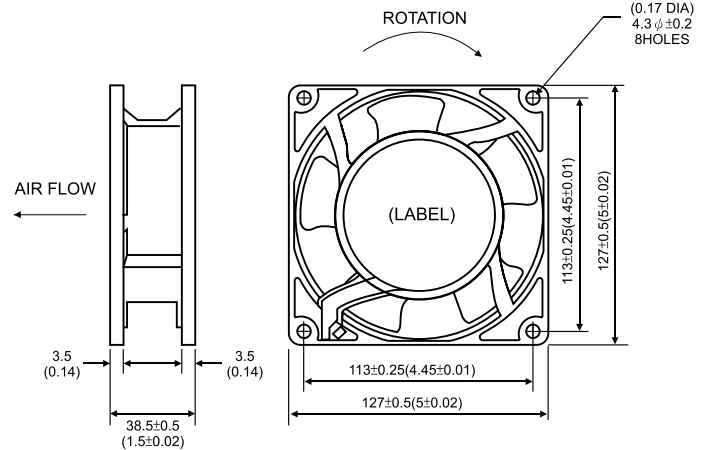
A12738 Series

Size: 127x127x38mm (5"x5"x1.5")

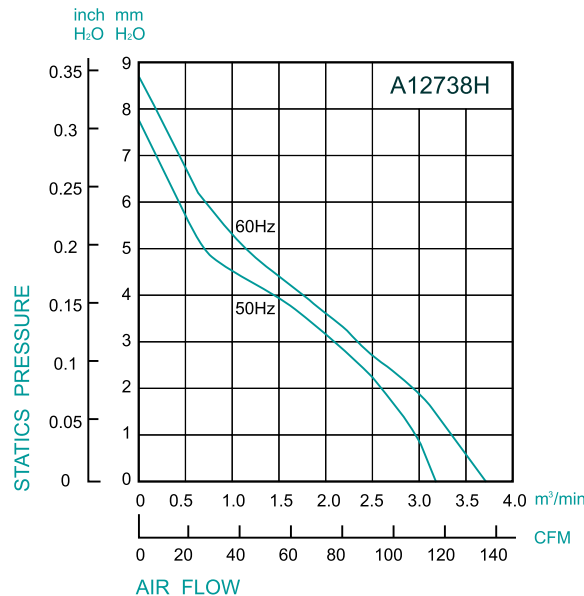
DIMENSION

HOUSING : Die - Cast Aluminum, Painted Black
 IMPELLER : Thermoplastic PBT, UL94V - 0
 BEARING : Ball
 TERMINATION : Terminals or Lead wire
 OPERATING VOLTAGE RANGE : 85 VAC to 125 VAC for 115 V Type
 185 VAC to 245 VAC for 230 V Type
 DIELECTRIC STRENGTH : 1,500 VAC for 1 minute
 INSULATION : Class B
 INSULATION RESISTANCE : 100,000 Ohms min. @500 VDC
 OPERATING TEMPERATURE : -10 °C to + 70°C for Sleeve Type
 -20°C to + 80°C for Ball Type
 SAFETY : Impedance Protected
 WEIGHT : 562g (19.6 oz.)

Unit:mm(inch)



AIR PERFORMANCE



SPECIFICATION

MODEL NO.	RATED VOLTAGE (V)	FREQUENCY (Hz)	RATED CURRENT (A)	INPUT POWER (W)	SPEED (RPM)	AIR FLOW		NOISE dB(A) @ 1M
						CFM	m³/min	
A12738V1H	115	50 / 60	0.32 / 0.26	24 / 22	2650 / 3100	110 / 130	3.11 / 3.68	43 / 48
A12738V2H	230	50 / 60	0.16 / 0.13	23 / 21	2650 / 3100	110 / 130	3.11 / 3.68	43 / 48