

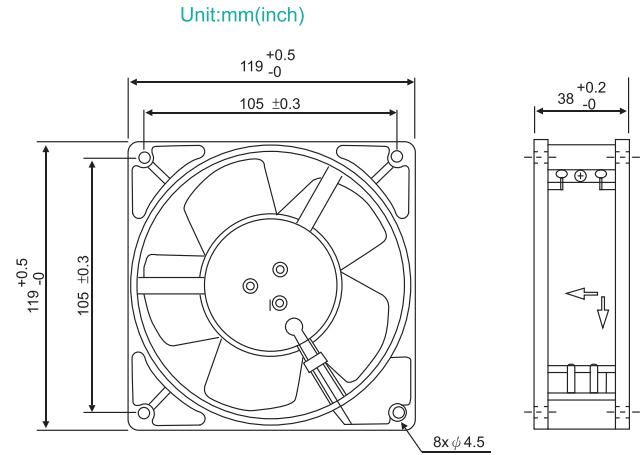
## A12038M Series

Size: 120x120x38mm(4.69"x4.69"x1.5")

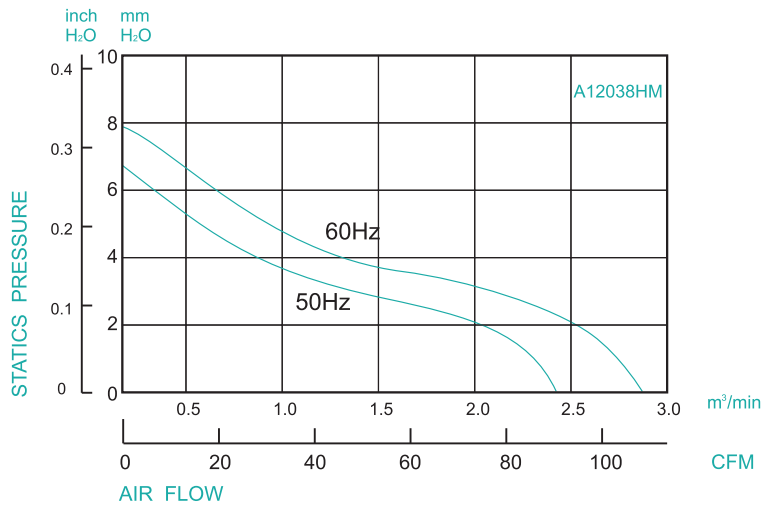


### DIMENSION

HOUSING : All Metal Die -Cast Aluminum, Painted Black  
 IMPELLER : Metal  
 BEARING : Sleeve or Ball  
 MOTOR TYPE : Outer Rotor, Shaded Polo Motor  
 TERMINATION : Terminals  
 DIELECTRIC STRENGTH : 1,500 VAC for 1 minute  
 INSULATION : Class B  
 INSULATION RESISTANCE : 100,000 Ohms min. @500 VDC  
 OPERATING TEMPERATURE : Ball Bearing -30°C to + 75°C  
 Sleeve Bearing -10 C to + 70 C  
 SAFETY : Impedance Protected  
 WEIGHT : 600g (21.16 oz.)



### AIR PERFORMANCE



### SPECIFICATION

MODEL NO.	RATED VOLTAGE (V)	FREQUENCY (Hz)	RATED CURRENT (A)	INPUT POWER (W)	SPEED (RPM)	AIR FLOW		NOISE dB(A) @ 1M
						CFM	m <sup>3</sup> /min	
A12038V1HM	115	50 / 60	0.24 / 0.025	24 / 22	2650 / 3000	94 / 105	2.66 / 2.97	45 / 50
A12038V1MM	115	50 / 60	0.23 / 0.24	23 / 21	2250 / 2500	70 / 78	1.98 / 2.21	38 / 42
A12038V2HM	230	50 / 60	0.13 / 0.17	22 / 21	2650 / 3000	94 / 105	2.66 / 2.97	45 / 50
A12038DVHBLM	115 / 120	50 / 60	0.13 / 0.25	22 / 21	2650 / 3000	94 / 105	2.66 / 2.97	45 / 50